

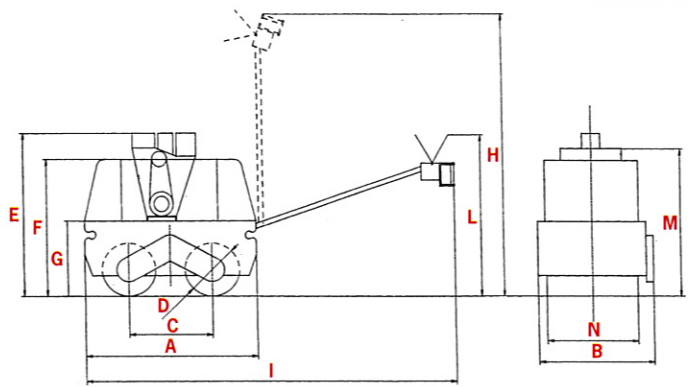
# ROM 600

double drum  
vibrating roller

**Weight:** 600 kg  
**Engine:** Lombardini 6.8 hp rope  
 or electric start  
 drum Ø: 425 mm  
**Transmission:** hydrostatic  
**Forward speed:** to 3.5 km/h  
**Force:** 19 kN (1.9 ton)

**Water tank:** 34 lt  
**Compaction depth:** 200 mm  
**Performance:** 1.800 m<sup>2</sup>/h  
**Drum width:** 600 mm  
**Vibrating frequency:** 60 hz  
**Hydraulic oil tank:** 34 lt.

ROM 600



A	B	C	D	E	F	G	H	I	L	M	N
1135	715	550	425	1075	900	500	1923	2450	880	715	600

